
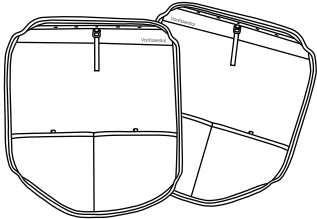


MERCEDES-BENZ SPRINTER

REAR DOOR MIDDLE STORAGE PANELS

 **CAUTION** Please read all steps before you begin. Installation of this product requires drilling through the first layer of sheet metal on the inside of your van doors. Take caution not to drill farther than about 3/8" or you risk drilling through the outside of the door. VanEssential is not responsible for any mistakes made.

What's Included:



2X Rear Door Storage Panels

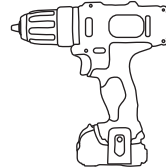


Sheet Metal Screws



T25 Screwdriver Bit

You Will Need:



Power Drill

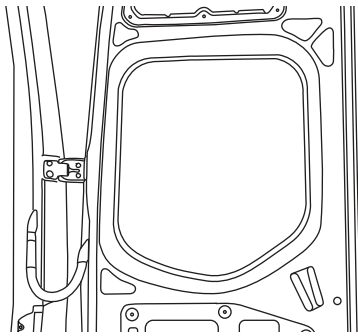


3/32" Steel Drill Bit
with depth stop at 3/8"

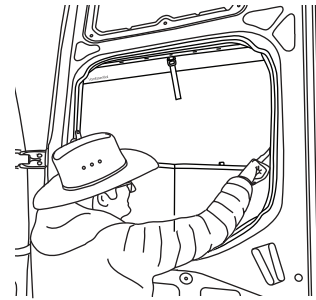


A Friend

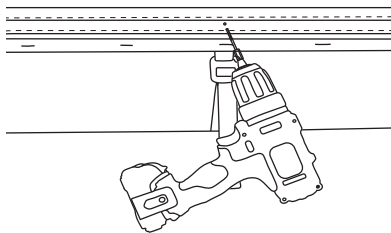
1. If applicable, remove all plastic stock trim so that your door has the metal frame exposed.



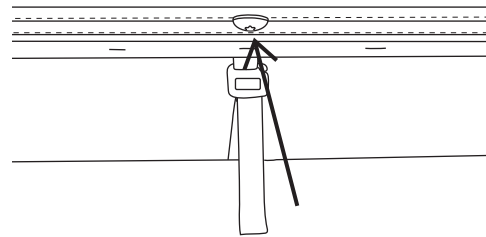
2. Have a friend help you hold up the panel to the window frame placing their hands on the left and right side of the cover. **The panel edges should fold up against the edge of the window frame.**



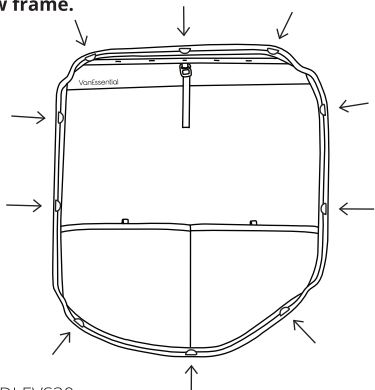
3. Starting on the top of the panel and in the center, identify a spot between the two outer seams and pre-drill a hole through the panel and into the van door on the window frame edge.



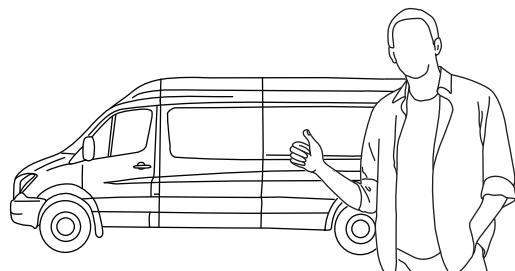
4. Drive a screw into the hole, securing the panel in place.



5. Repeat this process on the bottom of the panel in the center. Then repeat this process on the left center and right side center. Add additional screws around the panel edges, **making sure to keep the panel perimeter folded against the window frame.**




6. Repeat steps 1-5 for the second panel on the opposite door. You will likely have leftover screws. Step back and admire your work!

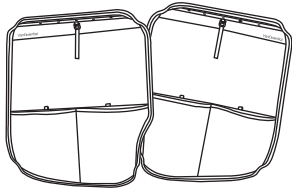


MERCEDES-BENZ SPRINTER

REAR DOOR MIDDLE STORAGE PANELS

 **CAUTION** Please read all steps before you begin. Installation of this product requires drilling through the first layer of sheet metal on the inside of your van doors. Take caution not to drill farther than about 3/8" or you risk drilling through the outside of the door. VanEssential is not responsible for any mistakes made.

What's Included:



2X Rear Door Storage Panels

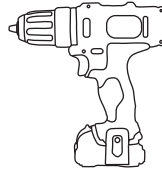


Sheet Metal Screws



T25 Screwdriver Bit

You Will Need:



Power Drill

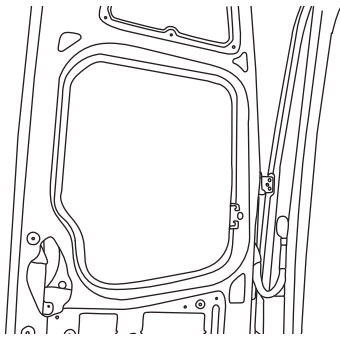


3/32" Steel Drill Bit
with depth stop at 3/8"

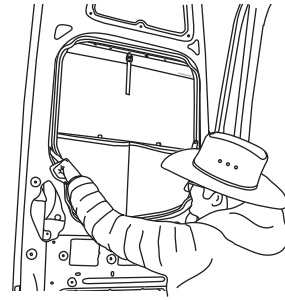


A Friend

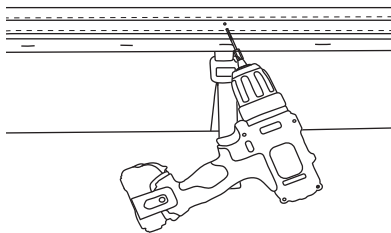
1. If applicable, remove all plastic stock trim so that your door has the metal frame exposed.



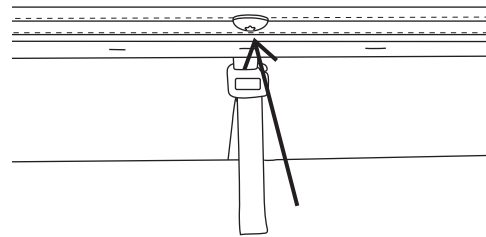
2. Have a friend help you hold up the panel to the window frame placing their hands on the left and right side of the cover. **The panel edges should fold up against the edge of the window frame.**



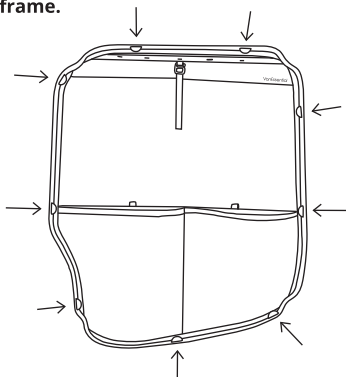
3. Starting on the top of the panel and in the center, identify a spot between the two outer seams and pre-drill a hole through the panel and into the van door on the window frame edge.



4. Drive a screw into the hole, securing the panel in place.



5. Repeat this process on the bottom of the panel in the center. Then repeat this process on the left center and right side center. Add additional screws around the panel edges, **making sure to keep the panel perimeter folded against the window frame.**



6. Repeat steps 1-5 for the second panel on the opposite door. You will likely have leftover screws. Step back and admire your work!

